

DATA SHEET

● **DEVICE NUMBER : HL-H238HS**

SHEET DATE	1	2	3	4	5	6						CONTENTS
2014-11-18	1.0	1.0	1.0	1.0	1.0	1.0						Initial Released

鸿利泰光电科技有限公司
HONGLITAI PHOTOELECTRICITY CO.,LTD
 深圳市宝安沙井街道芙蓉工业区芙蓉 6 路 122 号
Tel:0755-29504006
Fax: 0755-29504016
www.hlt-opto.com

APPROVED	DRAWER
邱丽红	刘钱兵



INFRARED RECEIVER MODULE

● Description

The HL-H238HS miniaturized infrared receivers for remote control and other applications requiring improved ambient light rejection.

The separate PIN diode and preamplifier IC are assembled on a single leadframe.

The epoxy package contains a special IR filter.

This module has excellent performance even in disturbed ambient light applications and provides protection against uncontrolled output pulses.



● Features

- Photo detector and preamplifier in one package .
- Internal filter for PCM frequency.
- Inner shield,good anti-interference ability.
- High immunity against ambient light.
- Improved shielding against electric field disturbance
- 3.0V or 5.0V supply voltage; low power consumption.
- TTL and CMOS compatibility.
- Suitable transmission code:NEC code,RC5 code.

● Applications:

1. Optical switch
2. Light detecting protion of remote contol
 - AV instruments such as Audio,TV,VCR,CD,MD,DVD,etc.
 - Home appliances such as Air-conditioner,Fan,etc.
 - CATV set top boxes
 - Multi-media Equipment

● Absolute Maximum Ratings(Ta=25°C)

Parameter	Symbol	Ratings	Unit	Notice
Supply Voltage	V _S	2.0-6.5	V	—
Operating Temperature	T _{opr}	-20~+65	°C	—
Storage Temperature	T _{stg}	-40~+85	°C	—
Soldering Temperature	T _{sd}	260	°C	4mm from mold body less than 5 sec



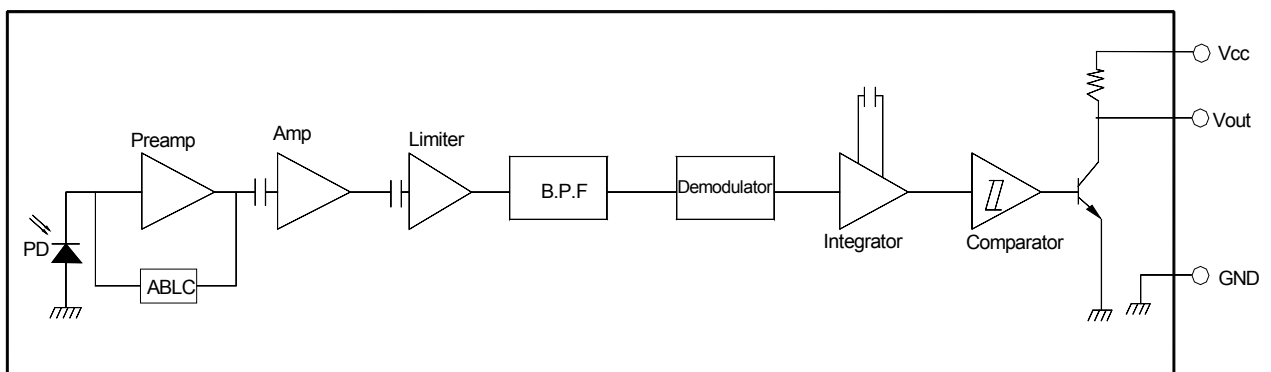
● Electrical And Optical Characteristics (Ta=25°C)

Parameter	Symbol	Ratings			Unit	Condition
		Min.	Typ.	Max.		
Supply Voltage	V _s	2.1	--	6	V	
Supply Current	I _{cc}	—	0.3	0.6	mA	No signal input
Reception Distance	L ₀	20	—	—	m	At the ray axis*1
	L ₄₅	10	—	—		
B.P.F Center Frequency	f _o	—	38	—	KHz	
Peak Wavelength	λ _p	—	940	—	nm	
Half Angle	θ	—	45	—	deg	At the ray axis *1
High Level Pulse Width	T _H	400	—	800	μS	At the ray axis *2
Low Level Pulse Width	T _L	400	—	800	μS	
High Level Output Voltage	V _H	V _{cc} -0.3	—	—	V	
Low Level Output Voltage	V _L	—	—	0.3	V	

*1: The ray receiving surface at a vertex and relation to the ray axis in the range of θ=0° and θ=45°

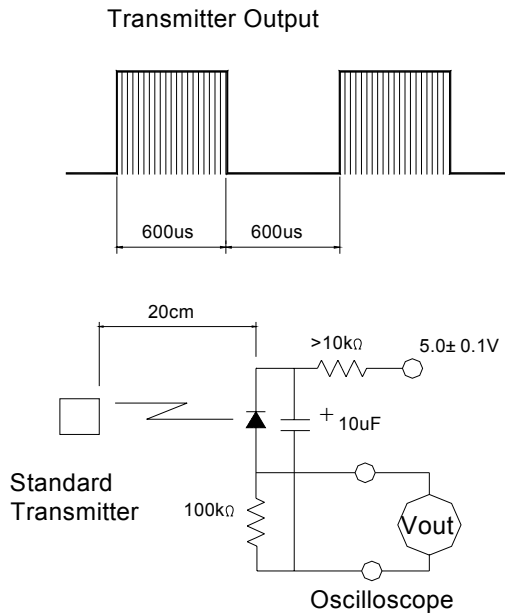
*2: A range from 30cm to the arrival distance. Average value of 50 pulses

● BLOCK DIAGRAM

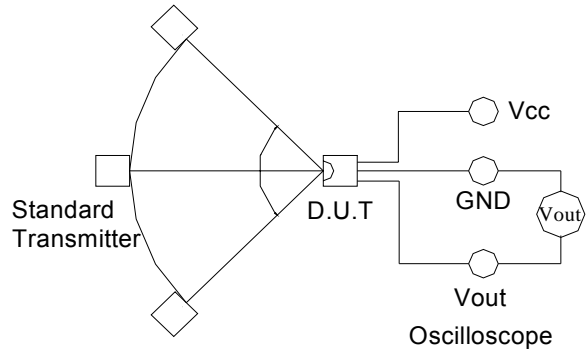


● **Test Method**

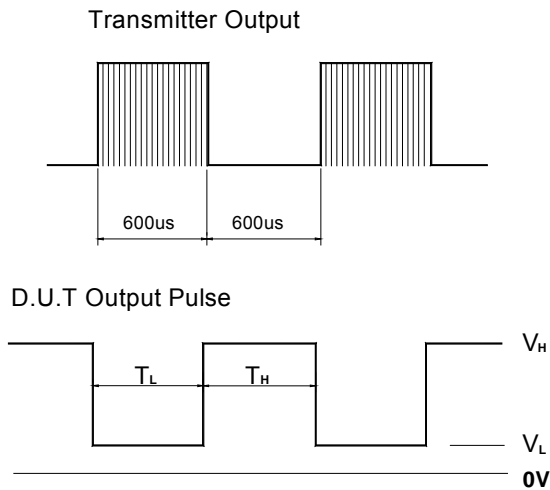
A. Standard Transmitter



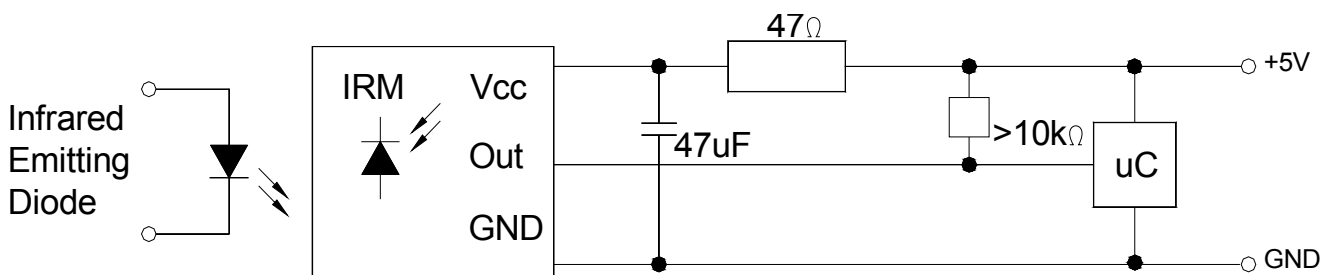
B. Detection Length Test



C. Pulse Width Test

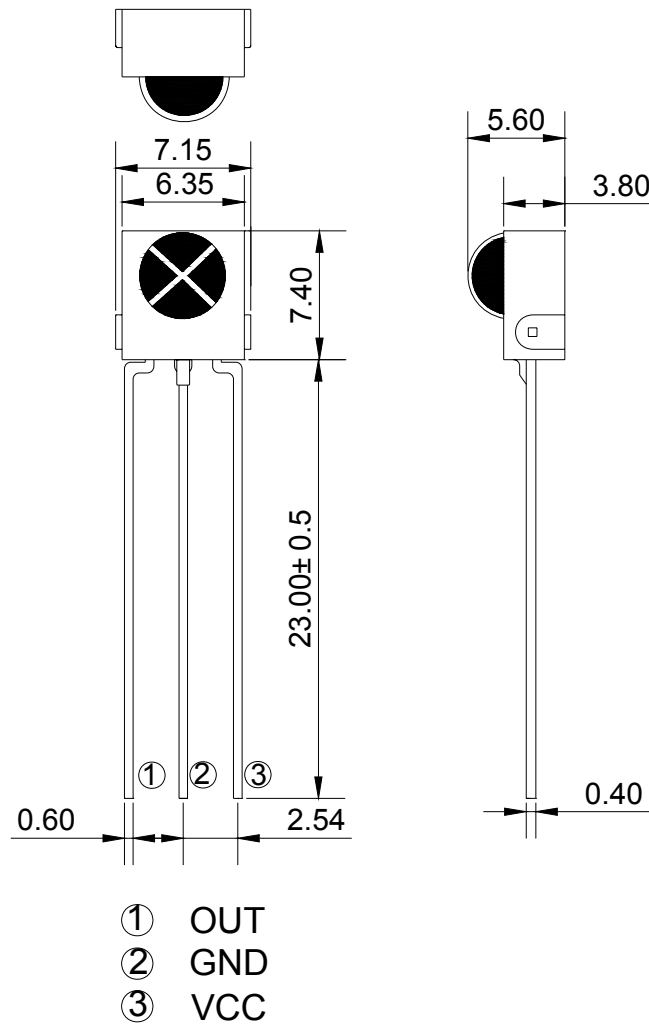


● **Application Circuit**





● Package Dimensions:



NOTES:

- 1.All dimensions are in millimeters (inches).
- 2.Tolerance is $\pm 0.30\text{mm}$ (0.012") unless otherwise specified.
- 3.Specifications are subject to change without notice.



● Electrical And Optical Curves(Ta=25°C)

Fig.1 Relative Spectral Sensitivity vs. Wavelength

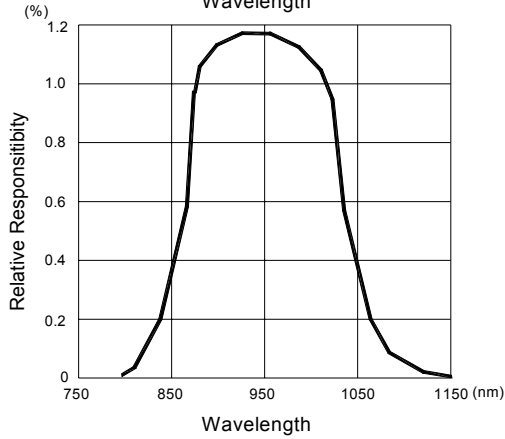


Fig.2 Relative Transmission Distance Vs. Direction

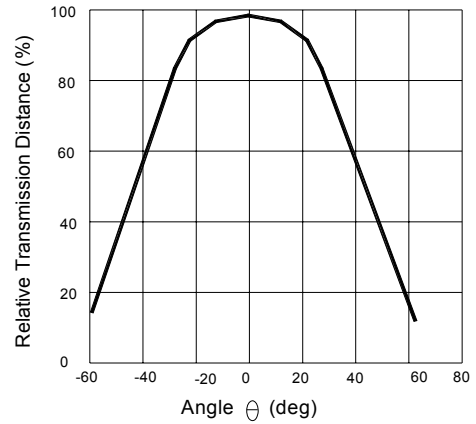


Fig.3 Frequency Dependence of Responsivity

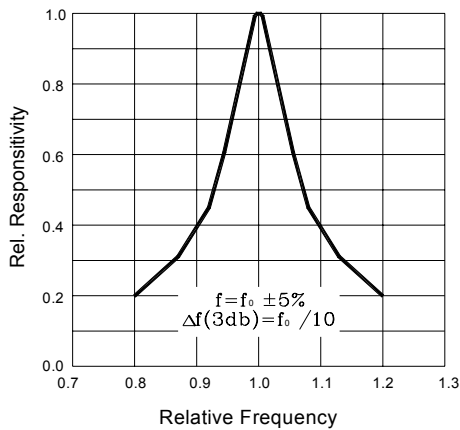


Fig.4 Supply Current vs. Ambient Temperature

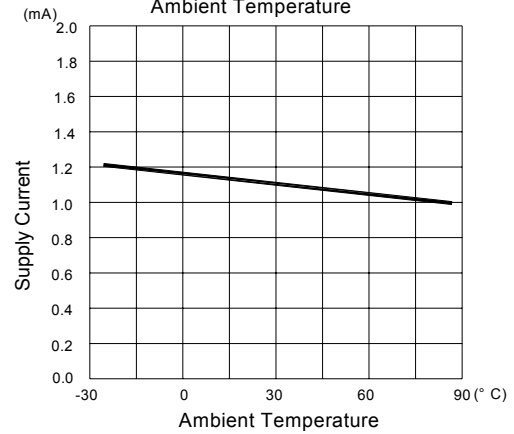


Fig.5 Relative Transmission Distance vs. Direction

